



A RICHIESTA

This manual pallet truck with high lifting capacity is particularly suitable for fishing, food and pharmaceutical industries, i.e. for all those places where the requirements in terms of hygiene and health are particularly stringent.

The pallet truck is made of stainless steel, thus it can withstand humid or aggressive environments and can be cleaned.

Load lowering is controlled by a release handle, which allows the operator to increase the lowering speed at any level. The stainless steel pallet truck features frame, levers and pump entirely in stainless steel (AISI 304/316) or anti-corrosion material.

- Steering angle **220°**
- **Entry roller** to facilitate insertion into the pallet on bottom board side

✓ **LOAD CAPACITY UP TO 2.000 KG**

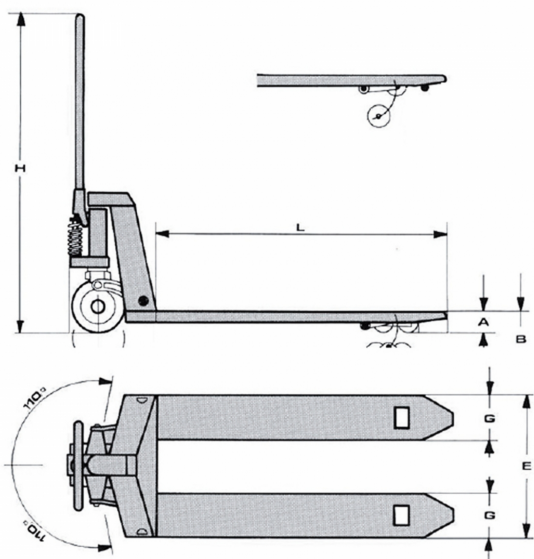
✓ **SPECIAL CONSTRUCTIONS UPON REQUEST**

SOME OPTIONALS

 **SCALE/PRINTER**

 **USE IN COLD STORE**

Type	Stainless steel forklift trucks	Class	Stainless steel manual and semi-electric pallet trucks
Load capacity (Kg)	2000	Lifting capacity (mm)	130



A	B	E	G	H	L
85	200	520	160	1225	1130

Characteristics

Portata	2000 kg
Outside width	520 mm
Fork length	1130 mm
Height of forks from ground	85 mm
Steering wheels	180 x 105 mm
Single load rollers	82 x 102 mm
Double load rollers	82 x 70 mm
Pallet entry roller	60 x 20 mm
Peso	69 Kg